



NACECARE
S O L U T I O N S

Clarity in Cleaning

**NR17/NR20
OWNERS MANUAL**



ATTENTION! DO NOT USE THE MACHINE WITHOUT HAVING READ THE INSTRUCTIONS

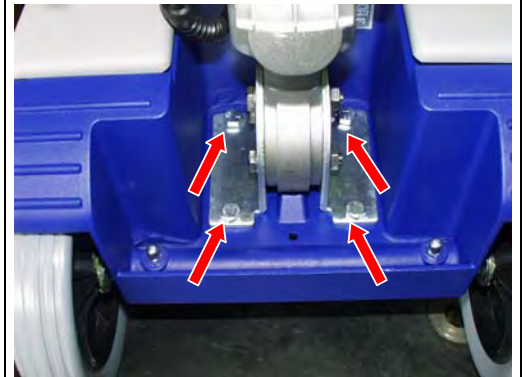
NaceCare Solutions
1205 Britannia rd E.
Mississauga, ON, Canada
L4W 1C7
Tel: 1 800 387 3210
Fax: 1 800 709 2896

Visit us on the web: www.nacecare.com

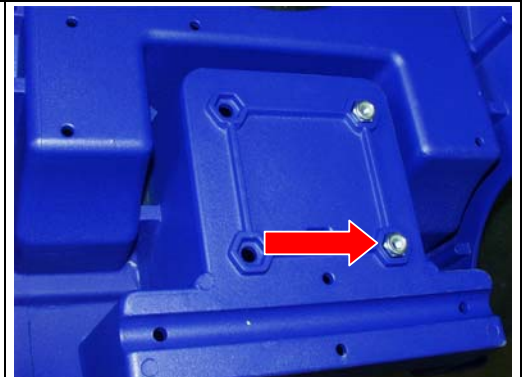
ASSEMBLY INSTRUCTIONS

ASSEMBLING THE HANDLE AND TANK NR17/NR20

Put the handle in vertical position, place its support on the four holes and insert all the screws.



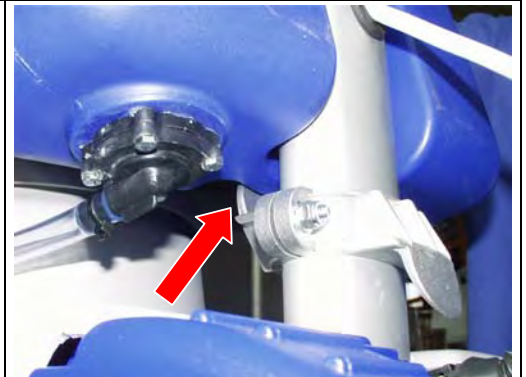
Insert the four lock nuts (M8) in the slots placed under the frame.



Tighten the bolts one at the time, keeping the four lock nuts in the slots.

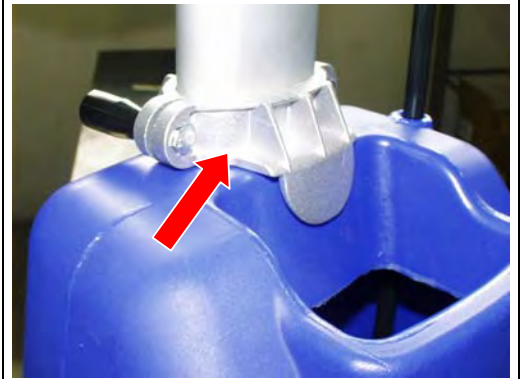


Tighten the bolt on the bottom bracket leaving 1—2 mm. of space between the two brackets.

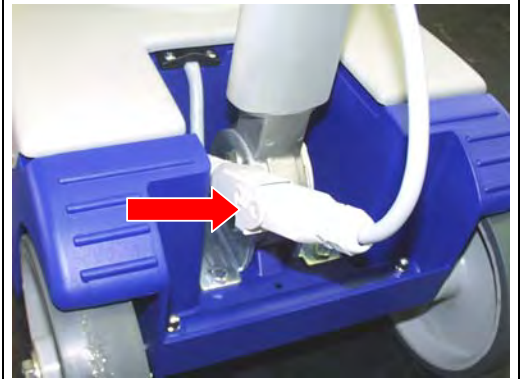


ASSEMBLY INSTRUCTIONS

Insert the tank on lower bracket and lower the top bracket until it is resting on the tank. Tighten the bolt on the top bracket with the hand know.

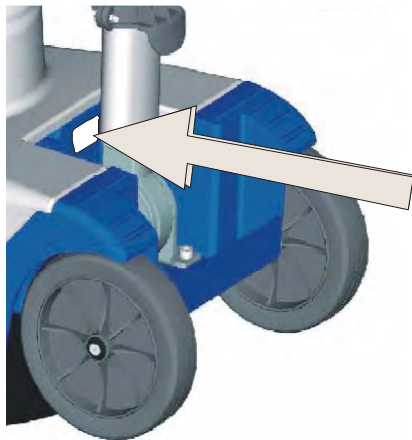


Connect the handle cable with the motor cable and the solution tube in the suitable hole placed on the left side of the frame.



SUMMARY

SUMMARY	2
DELIVERY OF THE MACHINE	3
TECHNICAL DESCRIPTION	4
MACHINE PREPARATION	5
WATER TANK ASSEMBLY	5
BRUSH/PAD DRIVER ASSEMBLY	5
MACHINE PREPARATION	6
GENERAL SAFETY RULES	7
WORKING WITH THE MACHINE	8
PREPARING THE MACHINE	8
USING THE MACHINE	8
CHEMICAL DISTRIBUTION	8
ON COMPLETION OF WORK	9
DAILY MAINTENANCE	9
TROUBLE SHOOTING GUIDE	10
INSUFFICIENT WATER.....	10
THE MACHINE DOES NOT CLEAN EFFICIENTLY.....	10
THE MACHINE STOPS DURING USE.....	10
THE MACHINE VIBRATES AND SWINGS.....	10



The delivery of the machine

When the machine is received, ensure to check that all components are in the box and that the machine has not been damaged in transport.

This machine has been designed for use on hard floors. Any use of the machine, other than the recommended use is dangerous and could cause injury to the operator.

The machine is suitable for the use of all sites, i.e. hotels, schools hospitals, factories, shops, offices, residences.

The machine can work efficiently, only by using it correctly and by maintaining it properly.

In this manual you will find all of the information necessary to use the machine in the safe and proper ways.

Please read these instructions carefully.

Warning: the machine can operate only with the voltage + or- 5% of the value shown on the plate. The plate is indicated by the arrow on the left hand side of this page.

TECHNICAL DATA

	Unit	NR17	NR20
Machine width	INCHES	17"	20"
Machine length	INCHES	23.5"	25"
Machine height (motor)	INCHES	14"	14"
Machine height (handle)	INCHES	47"	47"
Brush RPM	RPM	154	154
Voltage	V	115	115
Motor power	W	1100	1100
Frequency	Hz	60	60
Weight	LBS	88	88
Power cable length	FT	50	50
Ø wheels	INCHES	7"	7"
Tank capacity	GALLON	4	4

MACHINE PREPARATION

PREPARING THE MACHINE FOR FIRST USE

Upon delivery of the machine, please ensure that the owner's manual is read thoroughly. If there is multiple users for the machine, ensure that they have a full understanding of how to use the machine in a safe manner.

WATER TANK ASSEMBLY

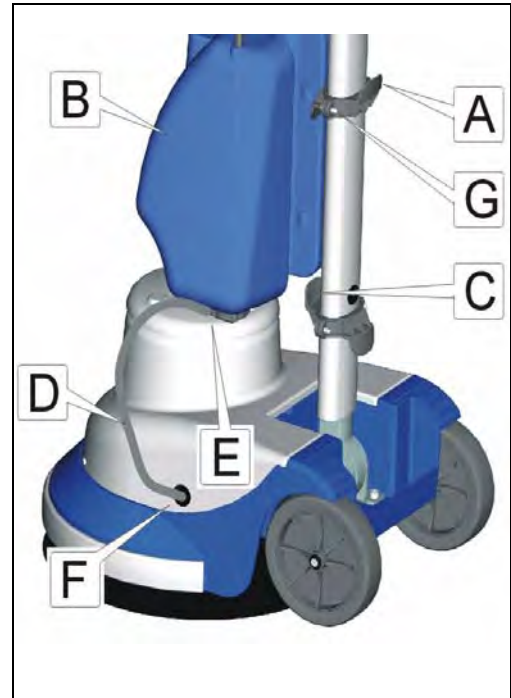
Put the handle in vertical position, lift up the bracket (A). Insert the tank (B) so that it is secured to the inner part of the bracket (C). Lower bracket (A) until it locks in to the tank. Lock the top bracket in place using the locking nut (G). Connect the Solution hose (D) to both, the bottom tank valve (E) and to the machine base (F).

Fill the tank with detergent solution keeping the handle in vertical position.

The detergent solution should not exceed the temperature of 50 °C and the detergent must be diluted to the manufacturers specifications.

WARNING:

- Do not use pure acids
- Do not mix detergents or acids of different origins.

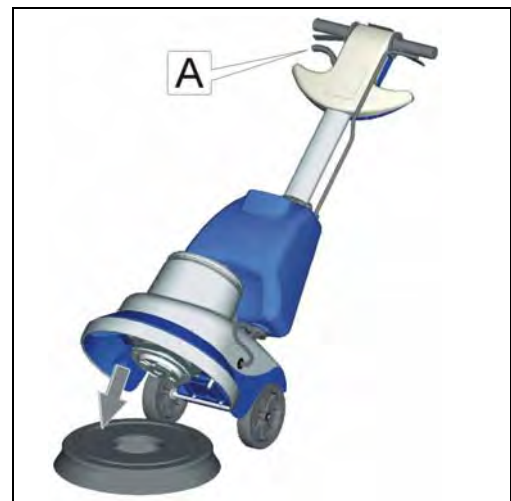


BRUSH/PAD DRIVER ASSEMBLY

WARNING:

When installing the pad driver/brush by hand, ensure that the power source is disconnected. Installing the pad driver/brush with the machine plugged in can cause serious injury.

For automatic mounting, connect the machine to the power source, lay the brush/pad driver on the floor (For pad driver, there must be a pad on the pad driver), bring the machine over the pad driver and lower it so the chuck is in the centre of the pad driver. Lower the handle to the operating position. Pull the lever (A) and lower the handle to the operating position.



MACHINE PREPARATION

The machine must be perfectly horizontal, and vertical on the pad driver/brush.

Move the handle from left to right until the chuck drops in to the pad driver/brush.

With the safety switch pressed down (B). Activate the motor using the two levers (C) until the chuck and the pad driver/brush are locked securely in place.

WARNING

During use, By gently pressing down on the handle, the machine shifts towards left. Lifting the handle gently, the machine shifts towards right.



WARNING:

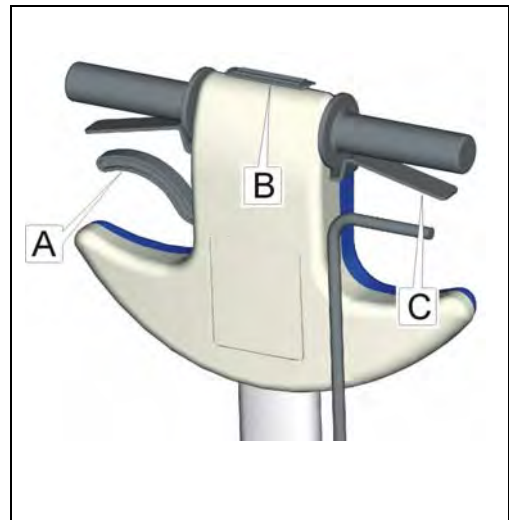
While assembling the brush automatically, be sure that there is no one close to the base of the machine.

WARNING:

Use only brushes and pad drivers delivered with the machine or recommended by NaceCare Solutions. The use of different products may compromise safety.

WARNING:

The brushes with PPL or NYLON bristles and abrasive discs must only be used for cleaning with water and chemicals on hard floors.



GENERAL SAFETY RULES

Any use of the machine other than the specified uses different from the instructions written here or recommended by NaceCare Solutions is prohibited and could cause bodily harm.

Do not remove or replace the specification plates on the machine for any reason.

Before operating the machine or performing maintenance, READ THESE INSTRUCTIONS CAREFULLY.

The use of the machine in closed surroundings is subordinated to rules effective in your country.

- Do not use the machine for applications other than the specified ones.
- Do not use the machine to collect acids or toxic materials.
- Ensure that work surfaces, slabs, ramps can handle the weight of the machine.
- While working, keep a suitable distance from people at work in the same area.
- Do not put your hands in the machine while it is operating.
- Do not operate the machine with loose clothing, which can get tangled in the disk.
- While using the machine, ensure that there is no pieces of rope, cables or other loose debris which could get tangled in the brush and harm the machine.
- Use only the brushes delivered with the machine or those recommended by NaceCare Solutions.
- The use of different brushes is unsafe and could cause bodily harm or serious injury.
- The machine must be used by authorized personell trained on these safety rules.
- The power socket must have a ground connection
- Avoid the power cable while using the machine
- If you notice that the power cable is damaged, stop using the machine immediately and have the cable replaced by an authorized NaceCare Solutions service centre.
- Do not mix chemicals of different brands.
- The machine can be stored in temperatures between -25°C and +55°C.
- The optimum working temperature of the machine are between 0°C and 40°C.
- Humidity % must be within the values 30 to 95%.
- Do not use the machine in explosive atmosphere or in presence of powders or flammable liquids.
- Do not use acid solutions, which could damage the machine.
- The chemical solution must not exceed the temperature of 50°C and each chemical must be used in the concentration recommended by the manufacturer.
- Avoid keeping the machine in one spot of the floor. This could damage the floor.
- In case of fire, use powder extinguisher. **Do not use water**
- Do not bump into shelving or scaffoldings with the machie.
- When using this machine, the area of use should be blocked off and have signs indicating that the floor is wet.
- If you experience problems with this machine, bring it to the closest service centre. ONLY a NaceCare Solutions service centre is authorized to perform repairs on this machine.
- ONLY original spare parts may be used for the repair of this machine.
- During regular maintenance of this machine, ensure the power source is disconnected and the proper safety precautions are met.
- Do not wash the machine with a power washer or hose. Use a damp rag to wipe down the machine.
- Do not disconnect the power source while the machine is operating.

WORK

PREPARATION: MANOEUVERING THE MACHINE

By pulling the lever (A) lower the handle until the arms of the user are lightly bent.

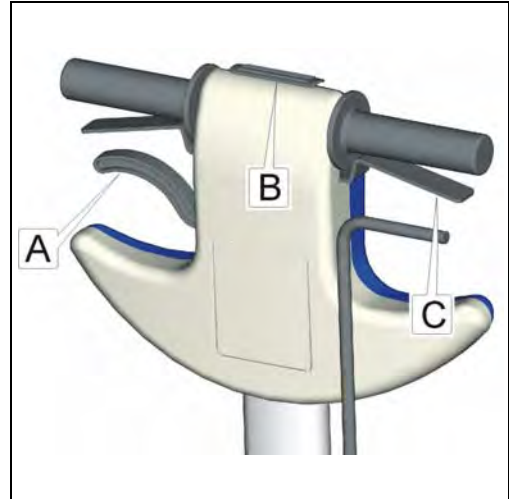
Using your thumb, push down on the safety lever (B) and then engage the motor with the two levers (C).

The safety lever (A) must be pressed down every time before the starting.

For safety reasons, the motor cannot be operated when the handle is in the upright position.

WARNING:

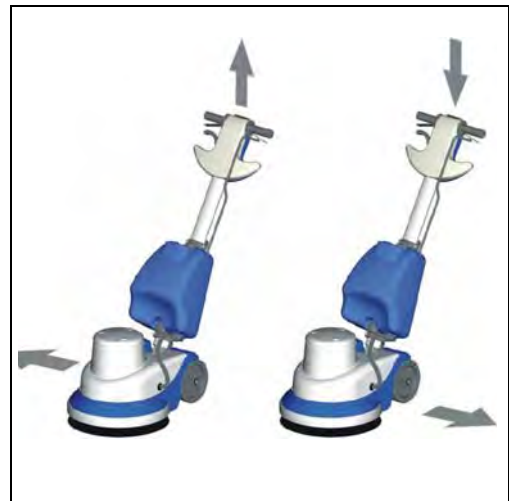
By pressing down slightly on the handle, the machine moves towards left, by raising the handle slightly, the machine moves towards right.



MANOEUVRING THE MACHINE

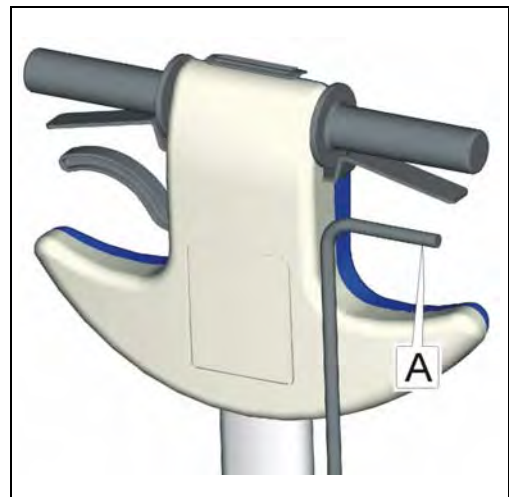
Every time the operator uses the machine he/she must be confident with the movements of the machine. Do not go near other people or obstacles. Always Keep the power cable behind the operator. Be careful not to work with the machine near the power cable.

Don not use the machine on the same area for prolonged periods of time, doing this could damage the floor.



CHEMICAL DISTRIBUTION

When chemical is required, use the lever (A) to release the chemical solution from the tank.



ON COMPLETION OF THE WORK

DISASSEMBLY OF BRUSH/PAD DRIVER

During storage, the machine must never rest on the brush or on the pad. The machine weight could permanently damage them.

To remove the brush, tilt the machine backwards, With your thumb push down on the safety switch and then pull on the motor levers with short impulses until the pad driver/brush drops off of the machine.



WARNING:
DISCONNECT POWER SOURCE BEFORE PERFORMING MAINTENANCE ON THE MACHINE

WARNING:
IF REMOVING THE BRUSH MANUALLY, MAKE SURE THE POWER SOURCE IS DISCONNECTED.

DAILY MAINTENANCE

Before storing the machine:

- Examine the power cable for any damage. After disconnecting the water hose from the inlet attachment, rinse the tank with warm water to clean it out. Re-install the tank back on to the machine after it is cleaned out.
- clean the machine with a damp cloth.
- Inspect the brush/pad to determine if it needs to be replaced.

TROUBLE SHOOTING GUIDE

INSUFFICIENT WATER ON THE BRUSH

Check that the solution valve on the bottom of the tank has no debris in it. Also check the solution hose for debris as well.

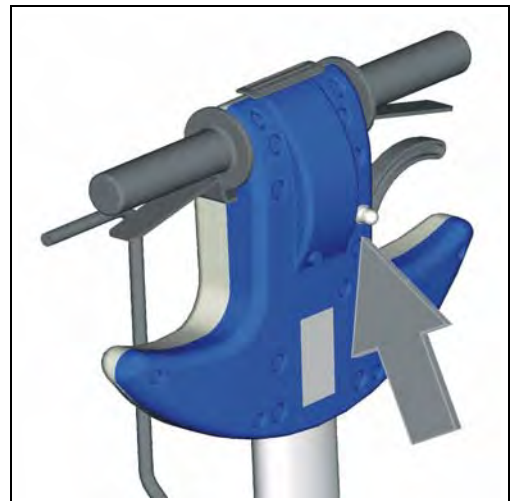
THE MACHINE DOES NOT CLEAN EFFICIENTLY

Check that the brush/pad is not worn. The brush should be changed when the bristles reach approx. 15mm long.

THE MACHINE STOPS WHILE WORKING

Check that the circuit breaker on the rear of the handle has not tripped.

If the circuit breaker trips repeatedly, contact your nearest NaceCare Solutions service centre.



THE MACHINE VIBRATES AND SWINGS

If the machine has been stored in the upright position with the pad/brush on it, the pad/brush may have been deformed by the weight of the machine. Replace the pad/brush to correct this problem.