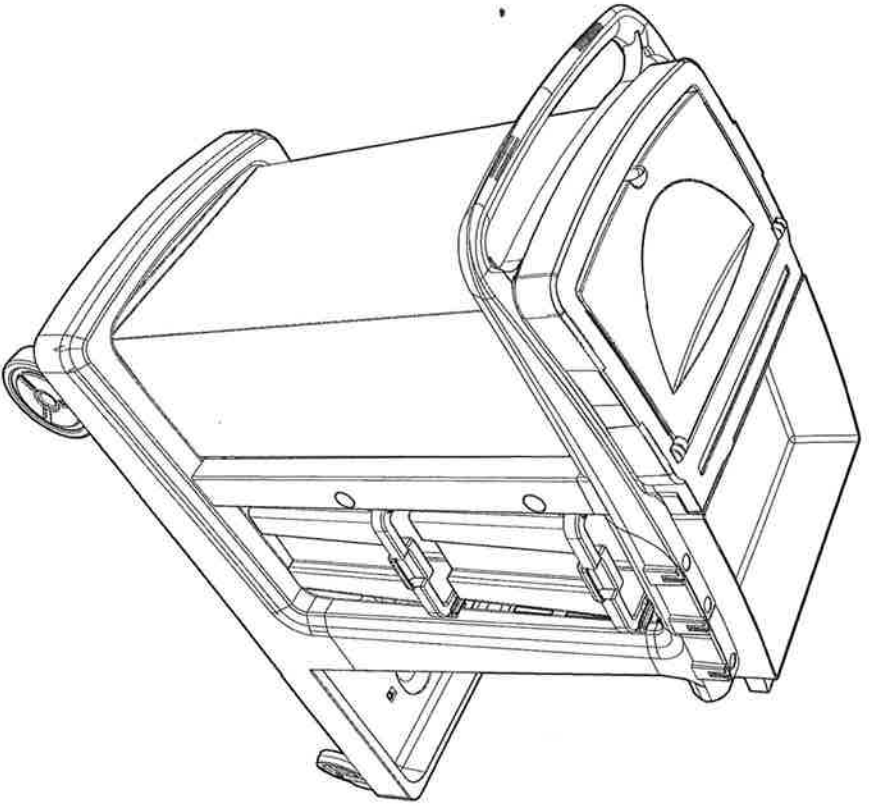
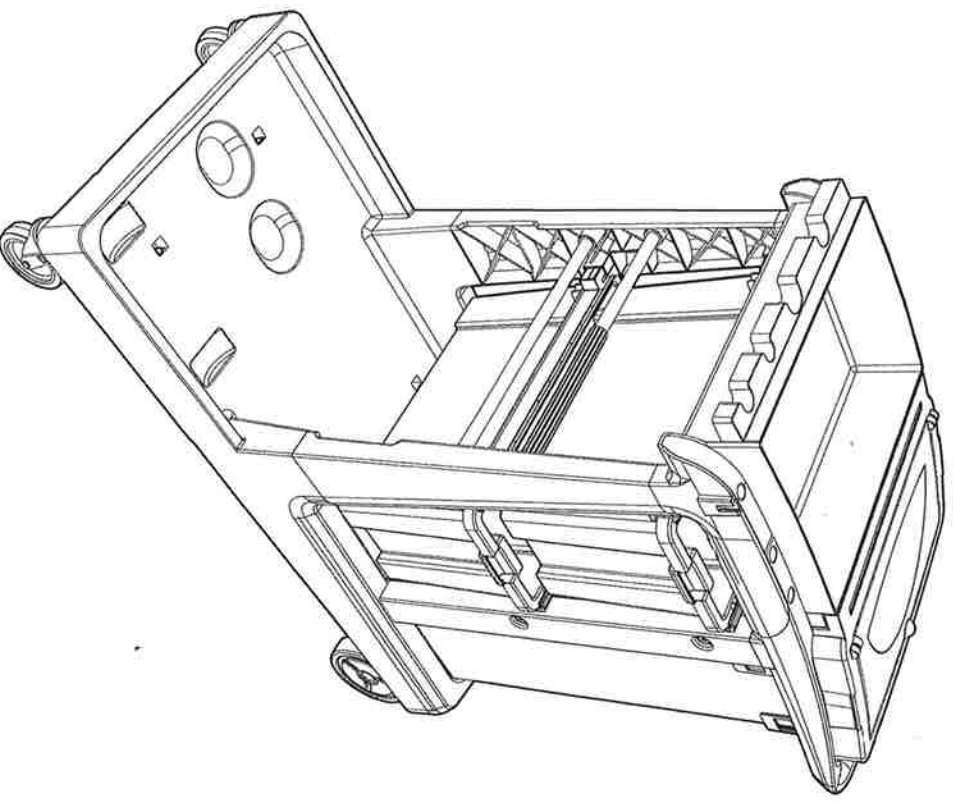


EcoMatic EM-5 Fixed Big Wheel
Nacecare Trolley Assembly

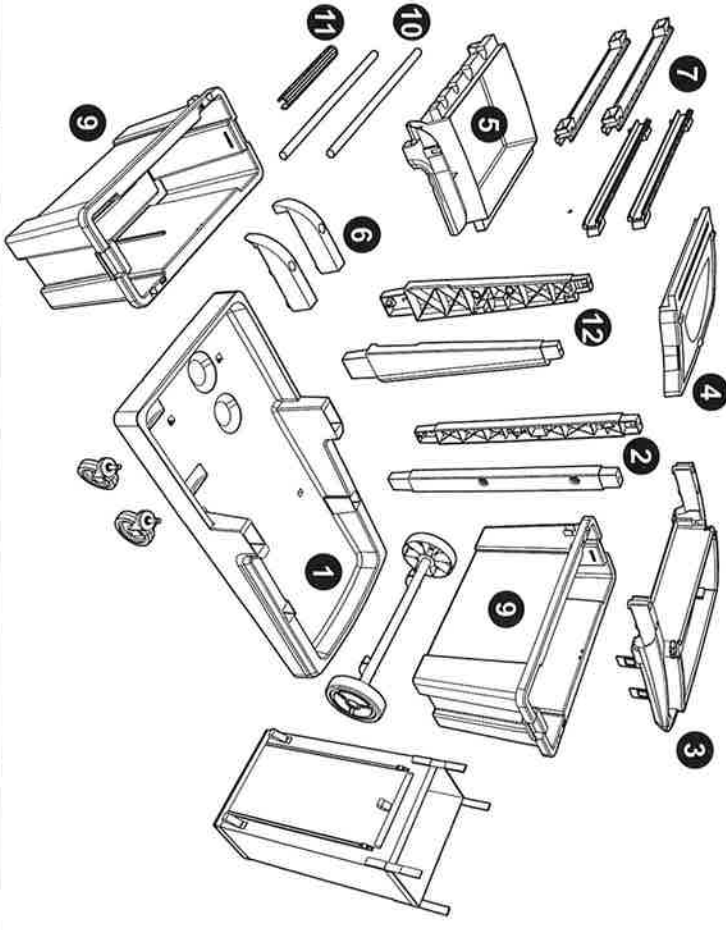
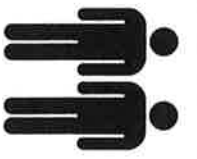


EcoMatic EM-5 Fixed Big Wheel
Nacecare Trolley Assembly

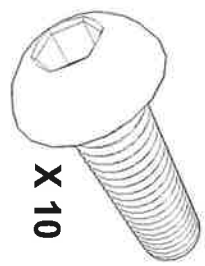




0.25 HR

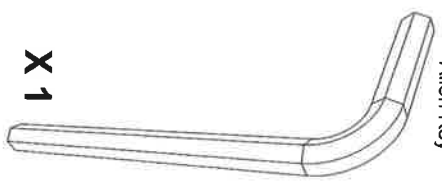


Item	Description	Qty
1	Ecomatic long reflo base with large wheels	1
2	Ecomatic rear upright assembly with (2 x locks fitted)	2
3	Reflo bag frame	1
4	Reflo bag securing frame	1
5	Lid moulding	1
6	Reflo top tray	1
7	Ecomatic cover moulding	1
8	Black reflo runner moulding	4
9	Narrow reflo storage box	2
10	Press support tube	2
11	Mop tube profile	1
12	Ecomatic front upright assembly	2
13	Zippered laundry bag	



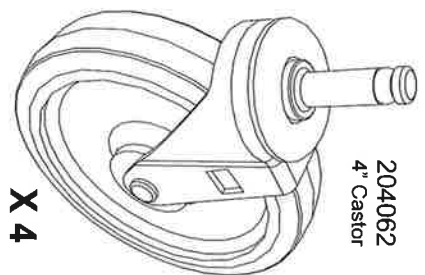
M8 25mm Socket Bolt
219555

X 10



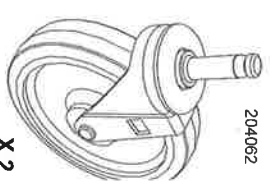
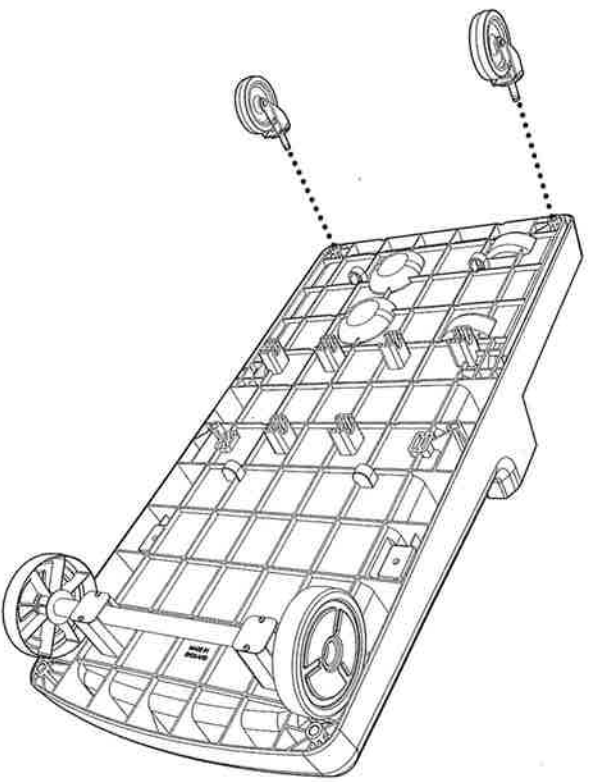
219554
Allen Key

X 1



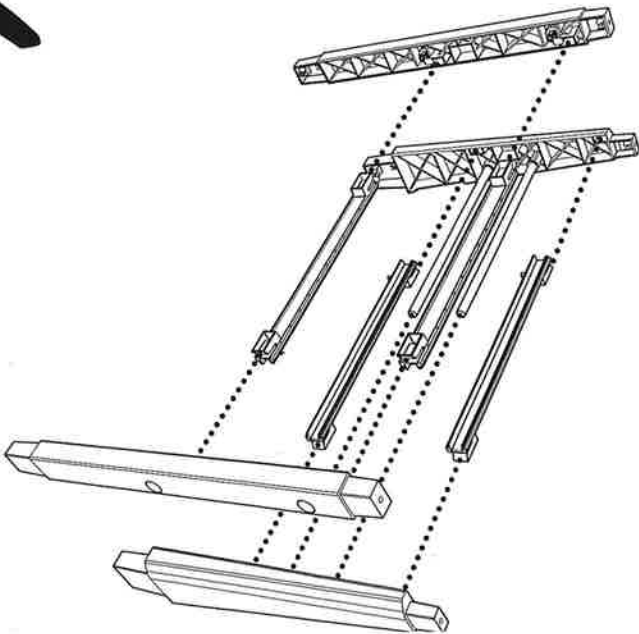
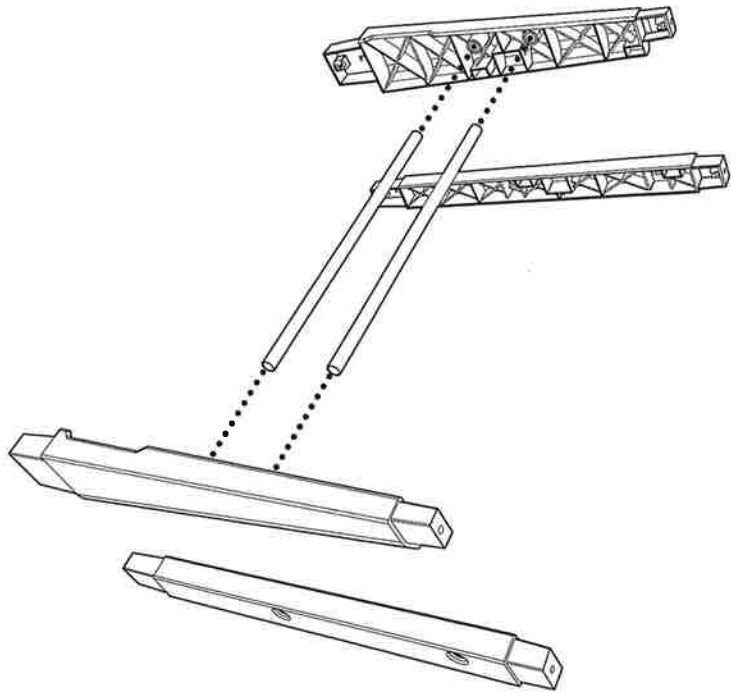
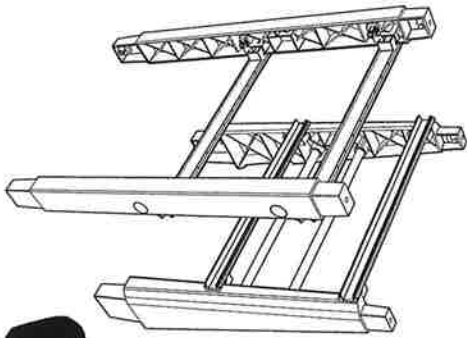
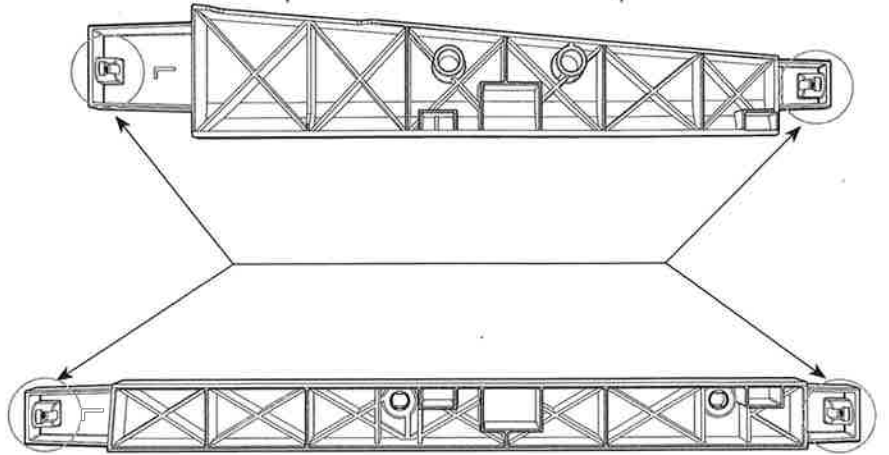
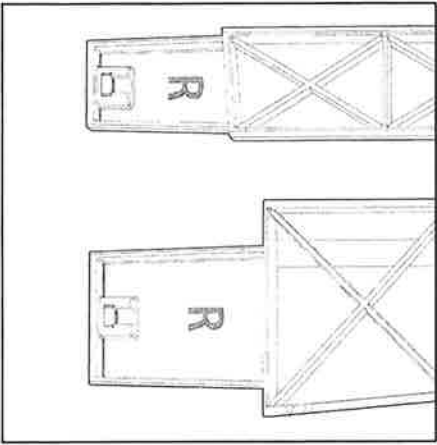
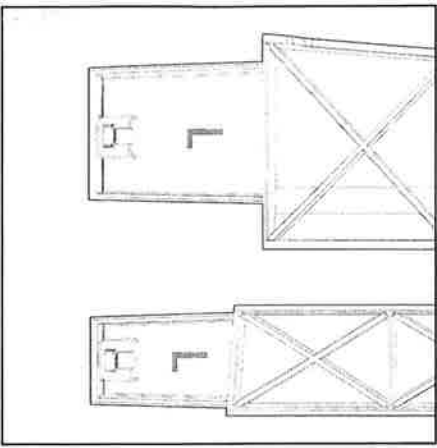
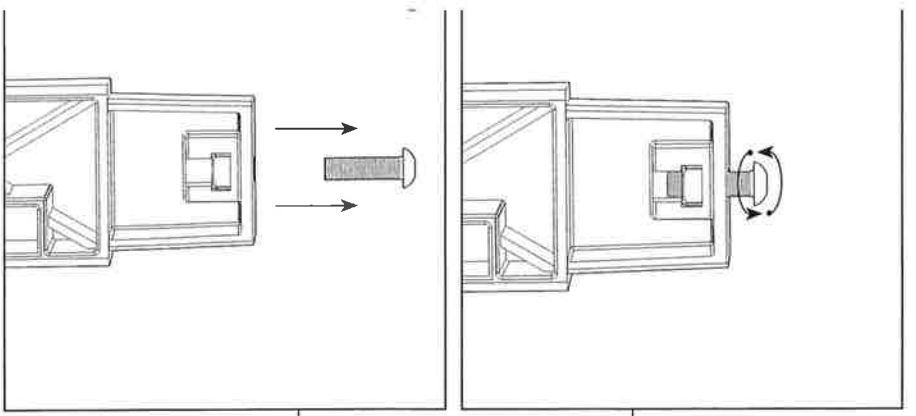
204062
4" Castor

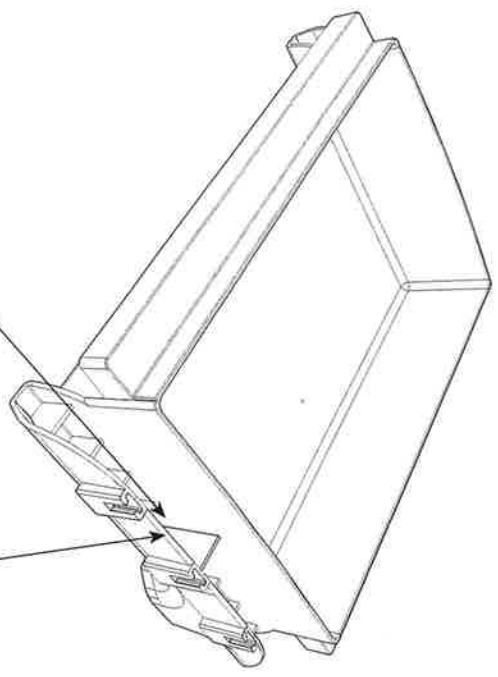
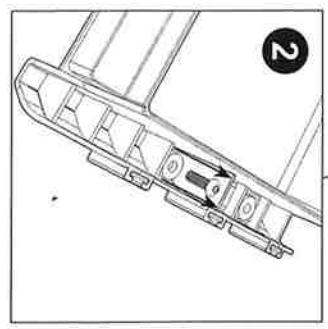
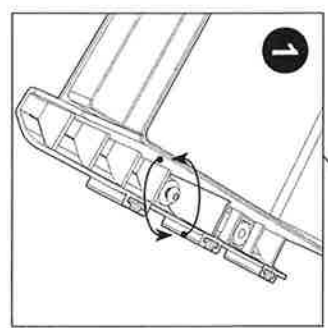
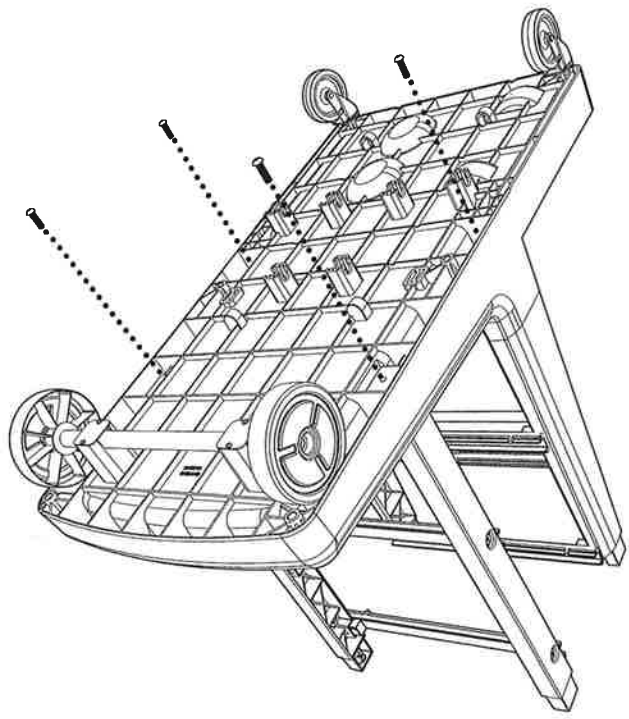
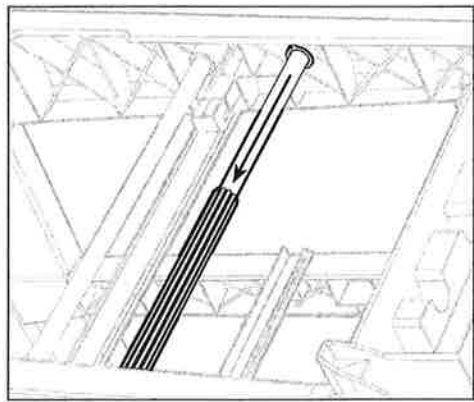
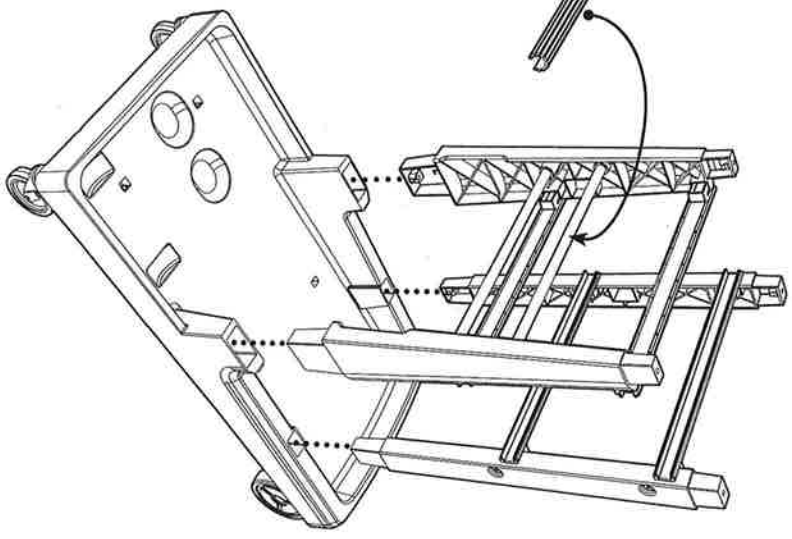
X 4



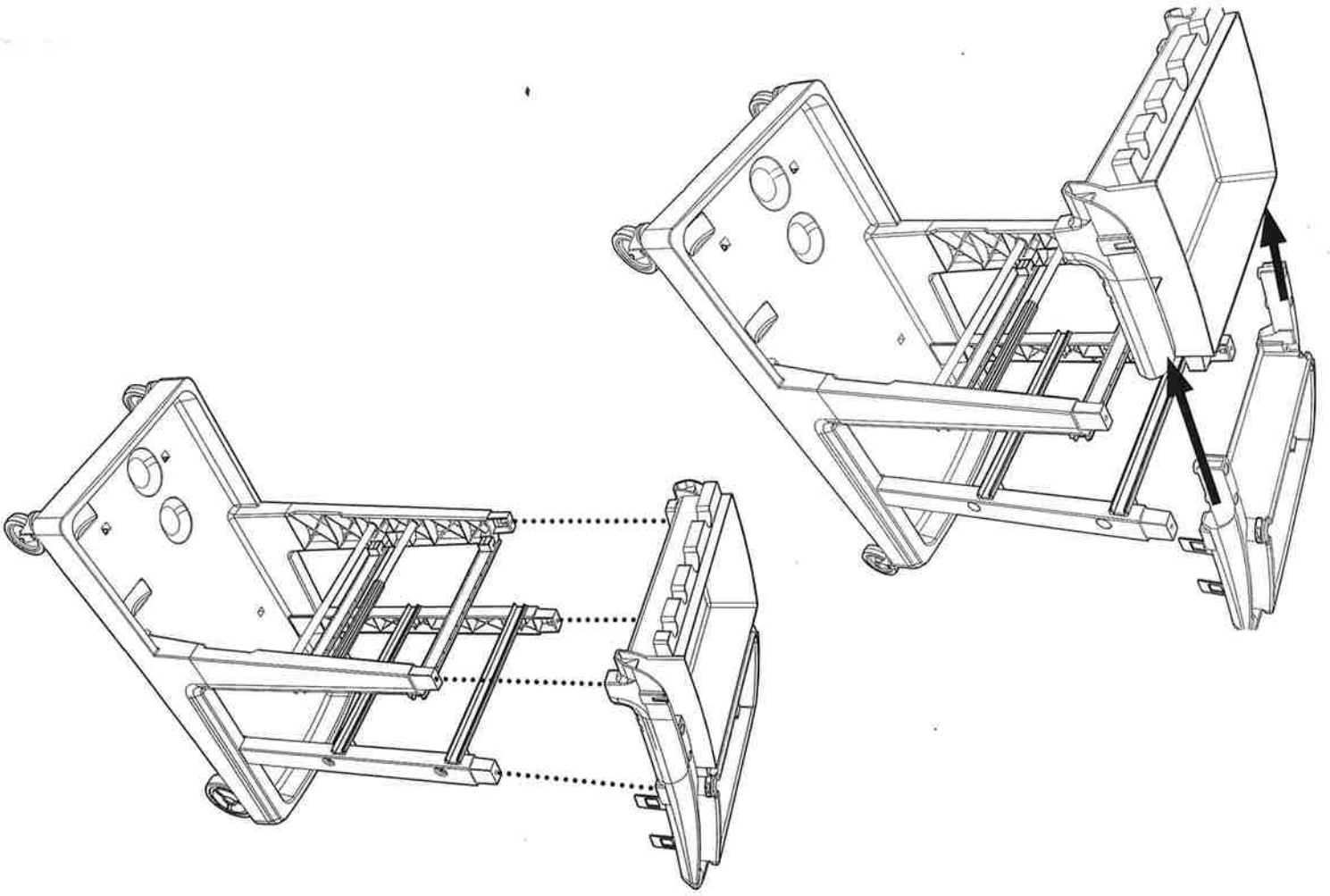
204062

X 2

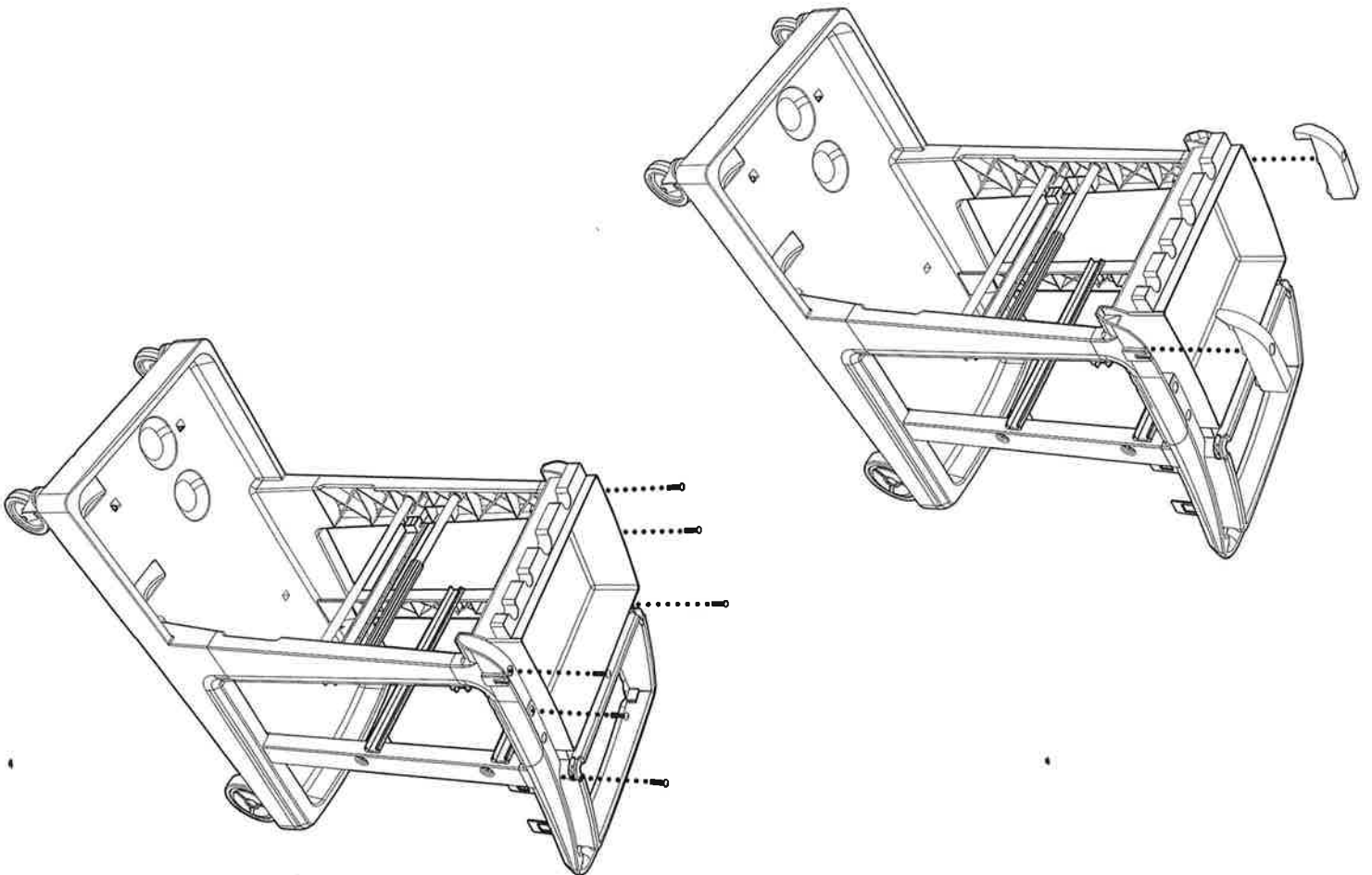




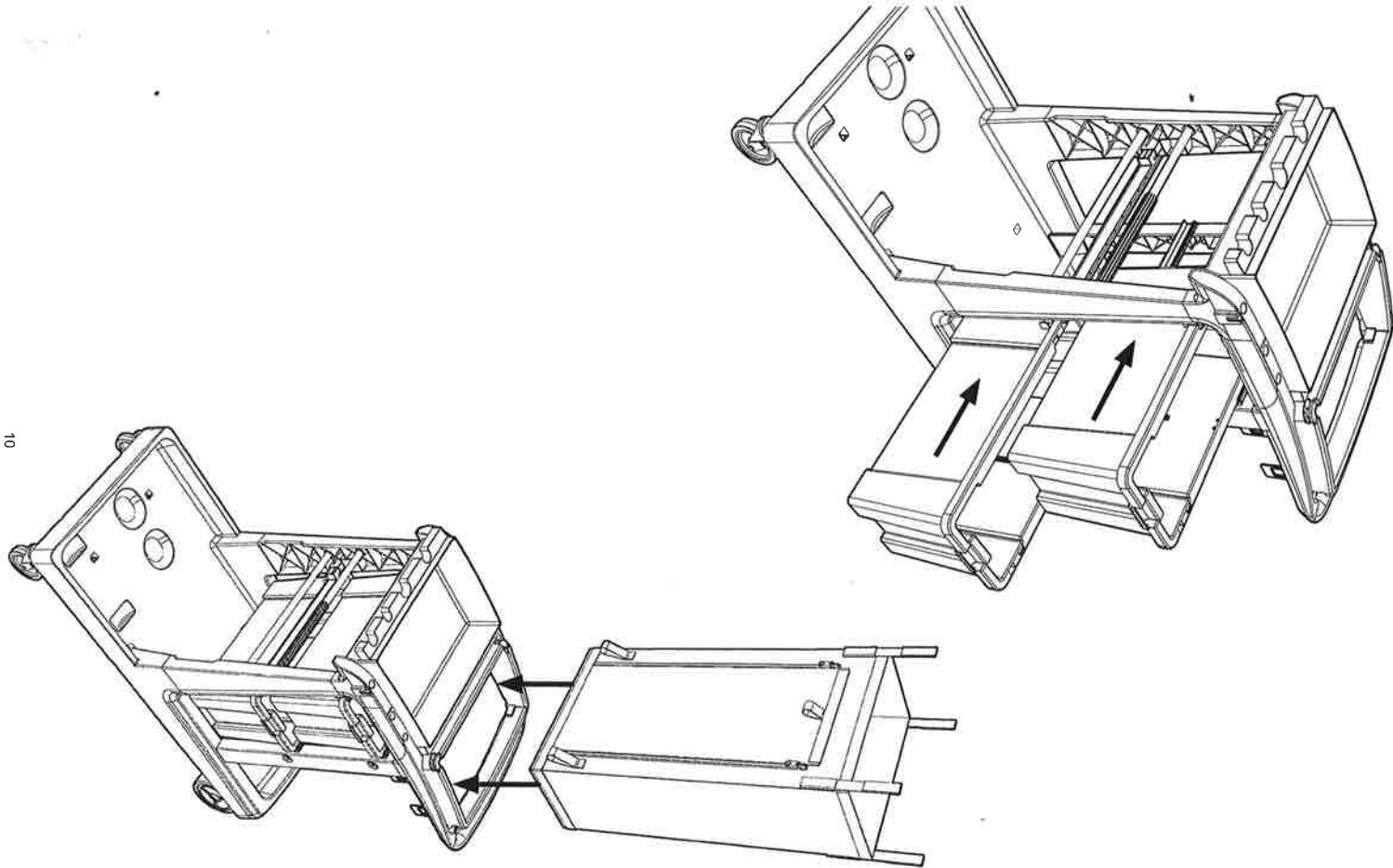
8



9



10



11

